

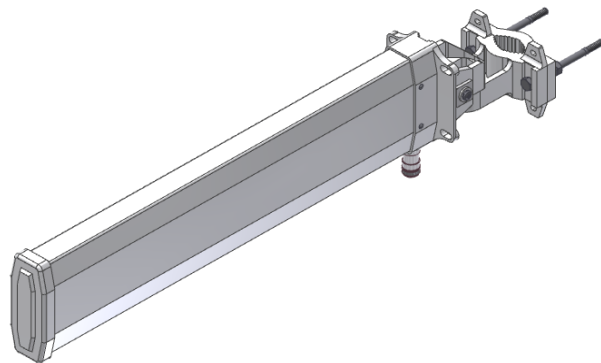
IMT YAGI Antenna

1920 ~ 2170 MHz / 09 dBi

IMT-SEYG-09

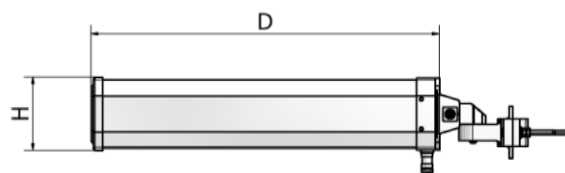
i. Electrical Specification

Frequency Range	1920 ~ 2170 MHz	
Polarization	Vertical	
Band Width	250 MHz	
Gain	≥ 09 dBi	
Beam width	Horizontal	≥ Nominal 50°
	Vertical	≥ Nominal 40°
Swing width	Horizontal	± 90°
	Vertical	+ 30° / -30°
F-B ratio	≥ 15 dB	
VSWR	1 : 1.5	
Impedance	50 Ω	
Maximum input power	20 W	

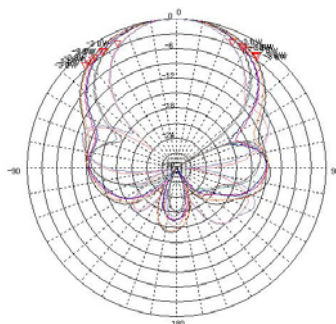


ii. Mechanical Specification

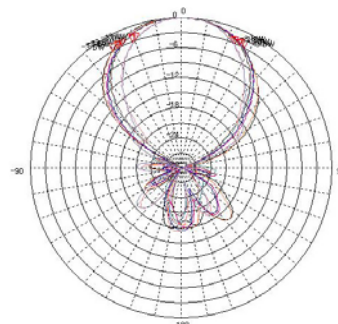
Radom Dimension (H x W x D)	100 x 43 x 290 (mm)	
Weight (Include bracket)	≤ 0.9 kg	
Connector Type	N-Female	
Withstand Wind Pressure	60 m/sec	
Radome Material	ASA	
Radome Color	Cool Gray 1C	
Mechanical Down Tilt	Up, Down ± 30°	
	Left, Right ± 30°	
Temperature	-40 °C ~ 70 °C	
Packing Size (H x W x D) 10SET	-	
Packing Weight 10SET	-	



iii. Radiation Pattern



Horizontal Pattern



Vertical Pattern